



Post Office Box 97  
 Benton Harbor, Michigan  
 Ph: 269/926-6171  
 Fax: 269/925-8288

PART NUMBER:

STD147

REV.

A

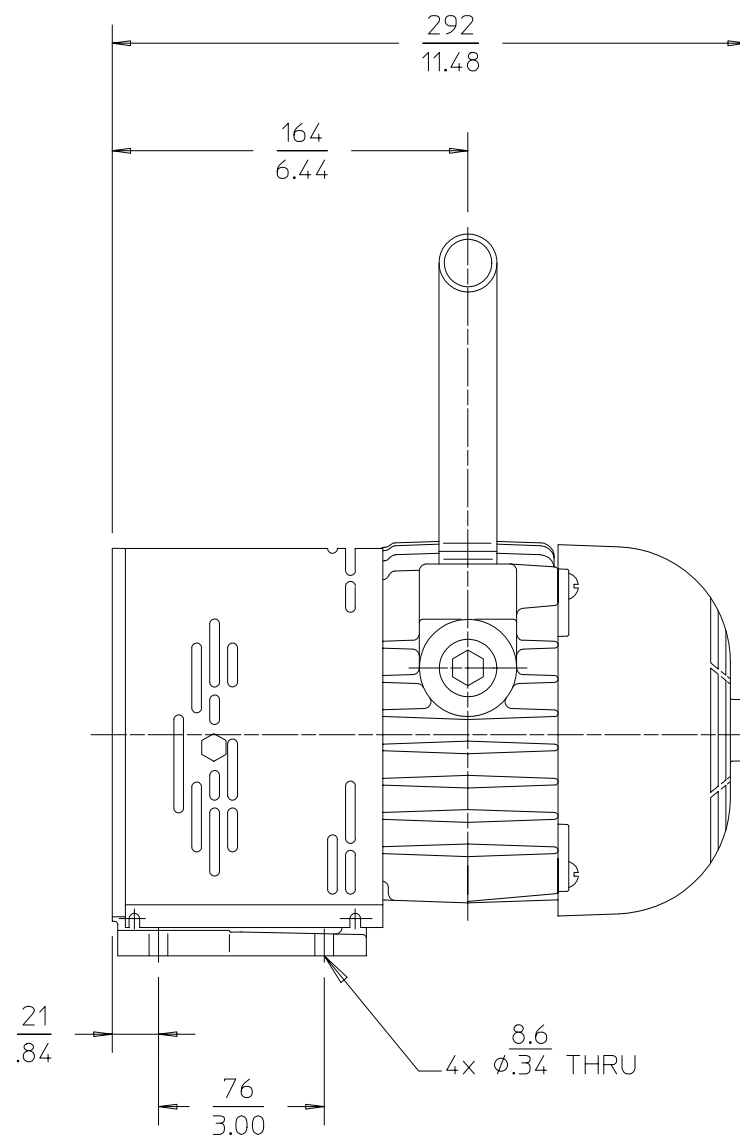
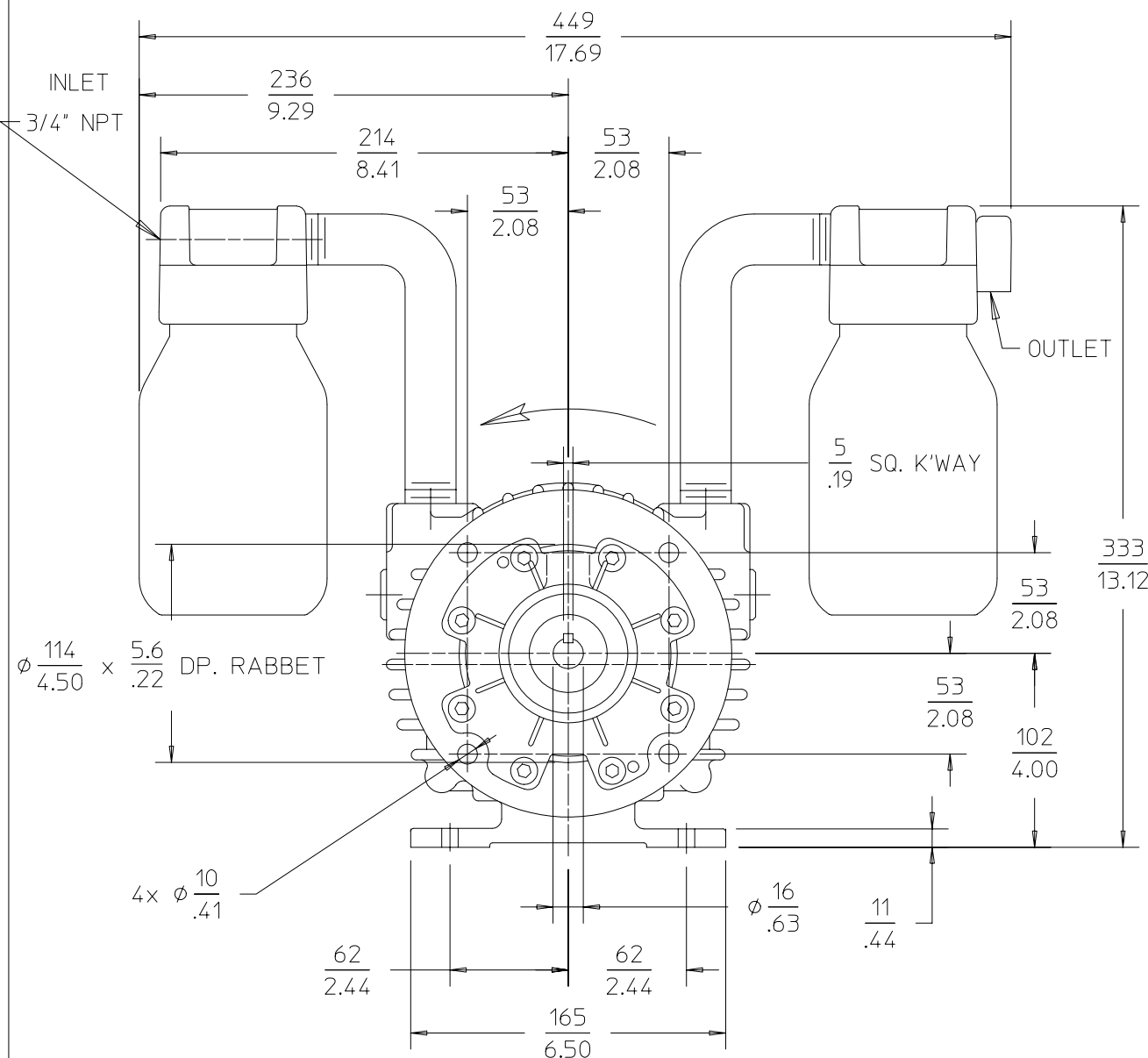
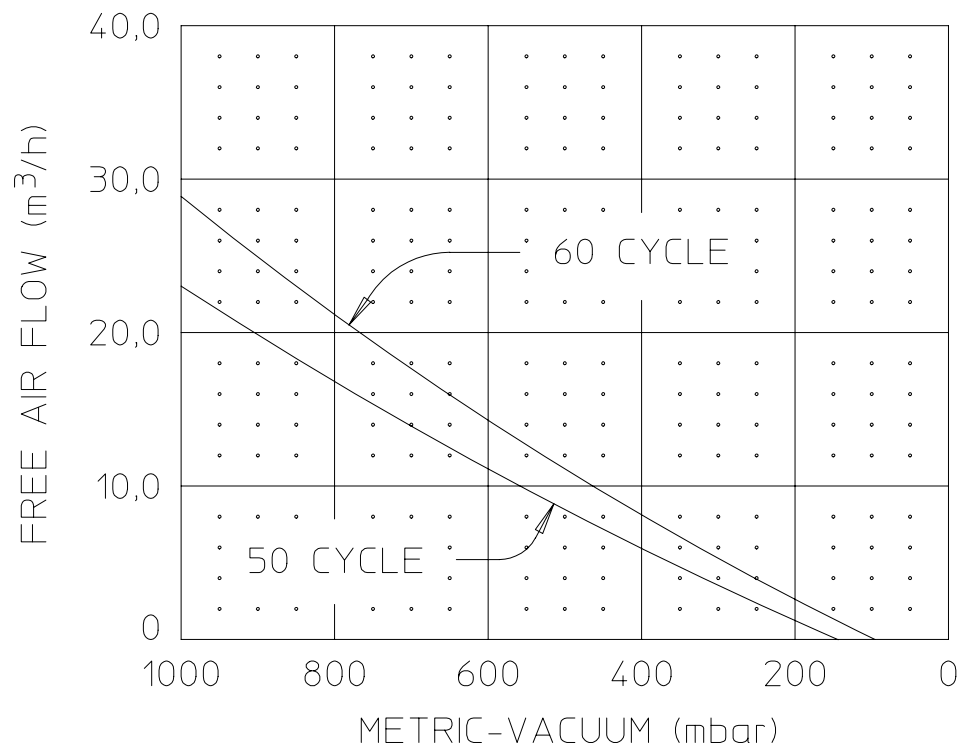
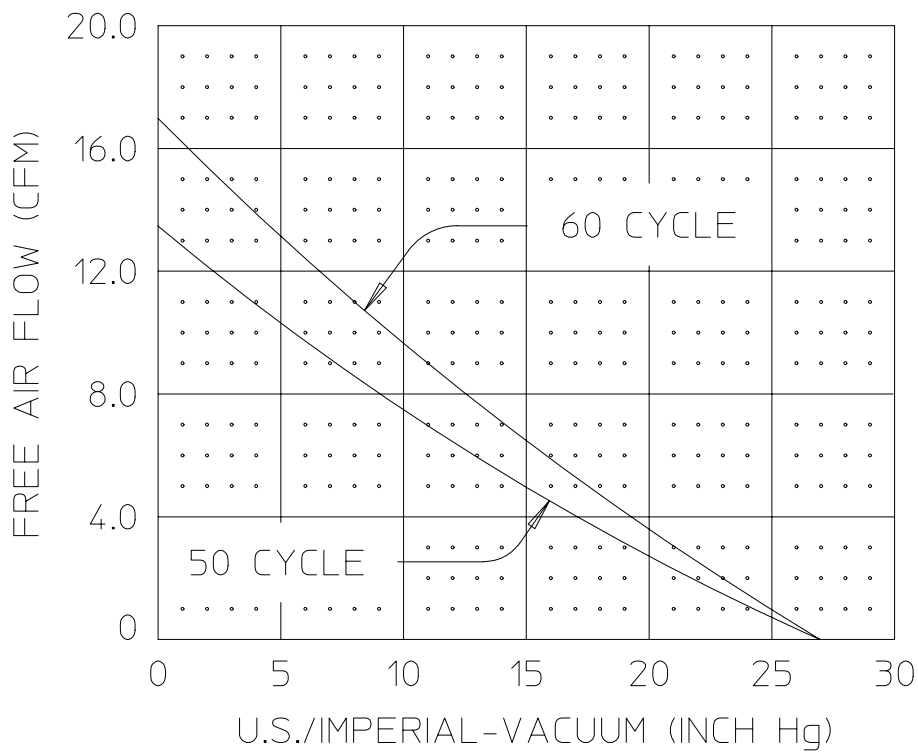
# Product Specifications

Model Number	RPM		HP	kW	Net Wt.	
	60 CYCLE	50 CYCLE			lbs.	kg
2067-V103	1725	1425	1.0	.75	55	25.0

SOUND LEVEL 80 dB(A) MAX.  
 NORMAL AMBIENT 1° C. - 40° C.  
 RELATIVE HUMIDITY 8% - 100% NON CONDENSING  
 ENVIRONMENT CLEAN DUST FREE

\* TECHNICAL DATA SUBJECT TO CHANGE WITHOUT NOTICE.  
 \* METRIC (mm), U.S. IMPERIAL (inches).  
 \* ALL DIMENSIONS ARE REFERENCE ONLY UNLESS TOLERANCED.

## Product Performance



MUFFLER & FILTER NOT SHOWN THIS VIEW