

# Why use a Gast Compressor and Vacuum Pump?

## Worldwide Excellence in Air Technology – Dedicated to the Success of Your Pneumatic Applications

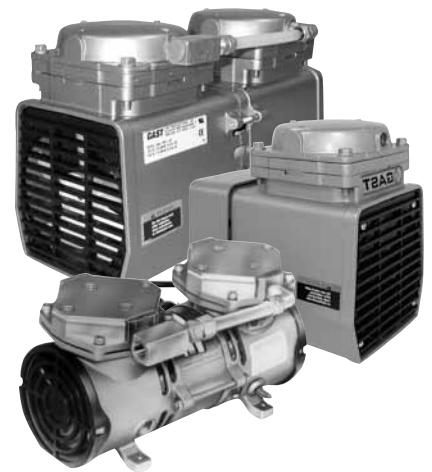
If you need a small, quiet source of vacuum or pressure, you'll find the unit for your application in the Gast line of oilless Diaphragm air compressors and vacuum pumps, which come in standard, twin, and miniature styles. Plastic component construction on the miniature pumps makes them especially compact and lightweight...ideal for light-duty applications.

Air flow capabilities for the entire line range from .65 LPM up to 3.8 CFM (6,5 m<sup>3</sup>/h), vacuum up to 29 inHg (31 mbar), and pressure up to 60 psig (4,2 bar). Electric motors are available in dual frequency, shaded pole, and permanent split capacitor (psc) versions as well as AC multi voltages for worldwide applications, plus 4-24 volt DC options on the miniature styles. Horsepowers range from 1/16 to 1/2 HP (0,05 to 0,37 kW) on the standard size models.

Tank models for the DOA series and a full line of recommended accessories are also available.



- AC and DC models
- Low noise, low vibration
- Compact, lightweight
- Oilless
- Long life
- Corrosion resistant
- Low power consumption



# Reciprocating Diaphragm Vacuum Pump and Compressors

## Here's why you can count on 60 psi (4,2 bar), 29 inHg (31 mbar)

Our connecting rod is bonded to its bearing - not clamped as in lighter duty pumps. In all pumps except our Miniatures we use larger bearings. So with a Gast unit, you get greater strength and durability where work loads are greatest.

## Easy maintenance

When you need to change air filters, it's just a 60-second screw-driver job to get inside.

Putting the head assembly back together is no problem either. The fasteners are made in non-symmetrical patterns. So the only way the head goes together is the right way.

## Cooler air output

Even at maximum duty, output air is cool and oil-free. As ambient air enters and leaves the head, it never goes near the motor to pick up heat and foreign matter. Cooler temperatures add to overall efficiency and service life.

## Variety of electric motors

Gast diaphragm pumps are available in a wide range of popular voltages and frequencies. Motor types range from economical shaded pole to more efficient permanent split capacitor (PSC) which can also provide improved starting characteristics for certain applications. Two and four pole motors are also available.

Model Number	Motor Voltage & HP	Motor Type	RPM		CFM @ 0 psi		m <sup>3</sup> /h @ 0 bar		Maximum Pressure		Maximum Vacuum		kW	Page Number
			60 Hz	50 Hz	60 Hz	50 Hz	60 Hz	50 Hz	psi	bar	inhg	mbar		
MOA-P101-AA	1/16, 115-60-1	Shaded pole	1575	-----	0.51	-----	0,85	-----	50	3,5	-----	-----	0,05	20
MOA-P101-CA	1/16, 115-60-1	Shaded pole	1575	-----	0.52	0.40	0,86	0,67	50	3,5			0,05	20
MOA-P101-CD	1/16, 220/230-50/60-1	Shaded pole	1575	1275	0.51	0.40	0,85	0,68	50	3,5			0,05	20
MOA-P101-JH	1/16, 12 Volt	DC		1800	0.56	0.95	30	3,5					0,05	20
MOA-P101-KH	1/8, 12 Volt	DC		3000	0.80	1.36	50	3,5					0,09	20
MOA-P101-JK	1/16, 24 Volt	DC		1800	0.56	0.95	50	3,5					0,05	20
MOA-P108-FB	1/8, 110/115-50/60-1	PSC (2 pole)	3000	2500	0.80	0.65	1,40	1,10	50	3,5			0,09	20
MOA-P108-FD	1/8, 220/230-50/60-1	PSC (2 pole)	3000	2500	0.80	0.65	1,40	1,10	50	3,5			0,09	20
MOA-P108-HB	1/16, 110/115-50/60-1	PSC (4 pole)	1575	1275	0.52	0.40	0,86	0,67	50	3,5			0,05	20
MOA-P108-HD	1/16, 230/220-60/50-1	PSC	1575	1275	0.52	0.40	0,86	0,67	50	3,5			0,05	20
MOA-P109-AA	1/16, 115-60-1	Shaded pole			0.52	0.40	0,86	0,67	50	3,5			0,05	20
MOA-P109-CA	1/16, 115-60-1	Shaded pole	1575	-----	0.52	0.40	0,86	0,67	50	3,5			0,05	20
MOA-V111-JH	1/16, 12 Volt	DC		1800	0.56	0.95			24.0	812,64			0,05	20
MOA-V111-KH	1/8, 12 Volt	DC		3000	0.80	1.36			24.0	812,64			0,09	20
MOA-V111-JK	1/16, 24 Volt	DC		1800	0.56	0.95			24.0	812,64			0,05	20
MOA-V111-CD	1/16, 220/230-50/60-1	Shaded pole	1575	1275	0.49	0.40	0,83	0,68			24.0	812,64	0,05	20
MOA-V112-AE	1/16, 110/115-50/60-1	Shaded pole	1575	1275	0.49	0.40	0,83	0,68			24.0	812,64	0,05	20
MOA-V112-FB	1/8, 110/115-50/60-1	PSC (2 pole)	3000	2500	0.72	0.60	1,22	1,02			24.0	812,64	0,09	20
MOA-V112-FD	1/8, 220/230-50/60-1	PSC (2 pole)	3000	2500	0.72	0.60	1,22	1,02			24.0	812,64	0,09	20
MOA-V113-AE	1/16, 110/115-50/60-1	Shaded pole	1575	1275	0.49	0.40	0,83	0,68			24.0	812,64	0,05	20
MAA-P102-HB	1/16, 115/110-60/50-1	PSC (4 pole)	1575	1275	1.02	0.90	1,73	1,53	50	3,5			0,05	22
MAA-P102-HD	1/16, 220/230-50/60-1	PSC (4 pole)	1575	1275	1.02	0.90	1,73	1,53	50	3,5			0,05	22
MAA-P102-MB	1/8, 115/110-60/50-1	PSC (2 pole)	3000	2500	1.60	1.40	2,72	2,38	50	3,5			0,09	22
MAA-V103-HB	1/16, 115/110-60/50-1	PSC (4 pole)	1575	1275	1.02	0.85	1,73	1,45			24.0	812,64	0,05	22
MAA-V103-MB	1/8, 115/110-60/50-1	PSC (2 pole)	3000	2500	1.70	1.60	2,89	2,72			24.0	812,64	0,09	22
MAA-V109-HB	1/16, 115/110-60/50-1	PSC (4 pole)	1575	1275	0.47	0.39	0,80	0,66			28.0	948,08	0,05	22
MAA-V109-HD	1/16, 220/230-60/50-1	PSC (4 pole)	1575	1275	0.47	0.39	0,80	0,66			28.0	948,08	0,05	22
MAA-V109-MB	1/8, 115/110-60/50-1	PSC (2 pole)	3000	2500	0.80	0.66	1,36	1,12			28.5	965,01	0,09	22
MAA-V109-MD	1/8, 208-230/220-240-60/50-1	PSC (2 pole)	3000	2500	0.80	0.66	1,36	1,12			28.5	965,01	0,09	22



### PSC 4 Pole AC

50 psi max. pressure, 24 inHg max. vacuum,  
.52 CFM open flow (60 Hz)

### PSC 2 Pole AC

50 psi max. pressure, 24 inHg max. vacuum,  
.80 CFM open flow (60 Hz)

### DC Low Speed DC

50 psi max. pressure, 24 inHg max. vacuum,  
.56 CFM open flow

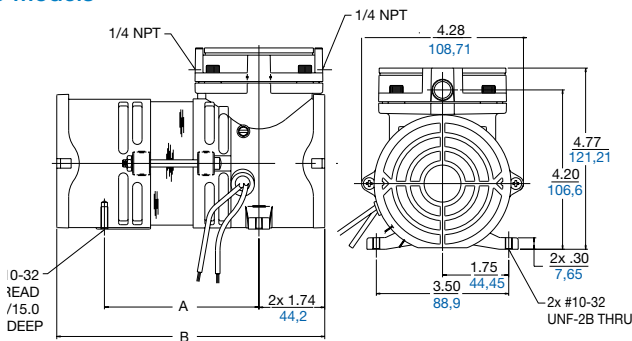
### High Speed DC

50 psi max. pressure, 24 inHg max. vacuum,  
.81 CFM open flow

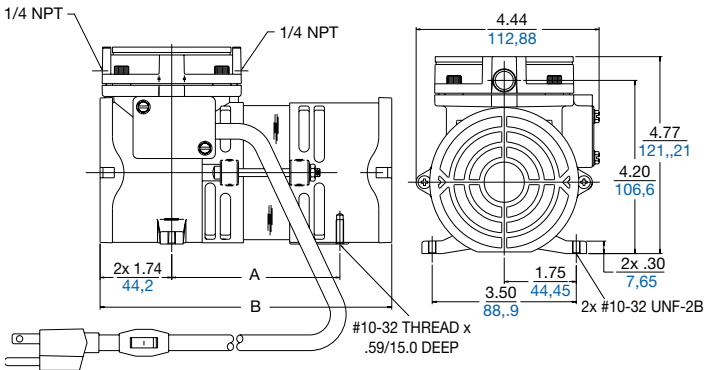
### Product Dimensions (inches, mm)

Reference only

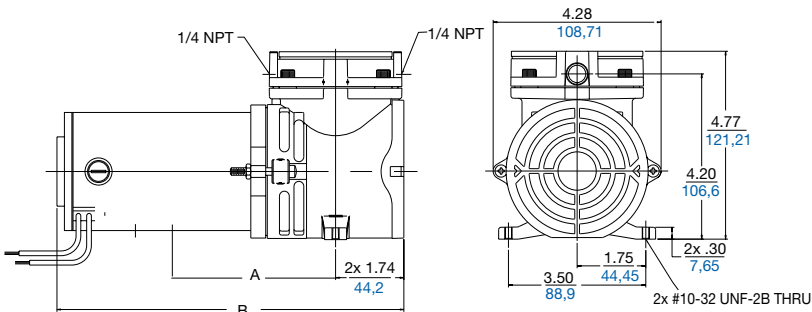
#### AC Models



#### AC Models (+ with electrical box)



#### DC Models



### PRODUCT FEATURES

- Oilless operation
- Motor-mounted
- Rugged construction
- Low maintenance

### INCLUDES

- Capacitors for PSC motors: AG331 (FB, HB, and HD motors), AF873A (FD motor)

### RECOMMENDED ACCESSORIES

- Pressure gauge AF583 / Vacuum gauge AA640
- Pressure relief valve AF887 / Vacuum relief valve AA550C-V
- Rubber feet AG505
- Repair kit K309 for all diaphragm units but MOA-P109-AA, which uses Repair kit K309A

	A Dimension		B Dimensions	
	Inches	Metric	Inches	Metric
MOA-P101-AA	4.09	103,89	7.09	180,09
+MOA-P109-AA	4.09	103,89	7.09	180,09
MOA-V112-AE	4.09	103,76	7.09	180,09
+MOA-V113-AE	4.09	103,89	7.09	180,09
MOA-P101-CA	4.59	116,59	7.59	192,79
+MOA-P109-CA	4.59	116,59	7.59	192,79
MOA-P101-CD	4.59	116,59	7.59	192,79
MOA-V111-CD	4.59	116,59	7.59	192,79
MOA-P108-FB	4.09	103,89	7.09	180,09
MOA-V112-FB	4.09	103,89	7.09	180,09
MOA-P108-FD	4.09	103,89	7.09	180,09
MOA-V112-FD	4.09	103,89	7.09	180,09
MOA-P108-HB	4.59	116,59	7.59	192,79
MOA-P108-HD	4.59	116,59	7.59	192,79
MOA-P101-JH	4.16	105,66	8.84	224,54
MOA-V111-JH	4.16	105,66	8.84	224,54
MOA-P101-JK	4.16	105,66	8.84	224,54
MOA-V111-JK	4.16	105,66	8.84	224,54
MOA-V111-KH	4.16	105,66	8.76	222,50
MOA-P101-KH	4.16	105,66	8.76	222,50

+ with electrical box

### Product Specifications

Model Number	Motor	Motor Type	RPM			HP	kW	Net Weight		Regulatory
			60 Hz	50 Hz				lbs	kg	
MOA-P101-AA	115-60-1	Shaded Pole	1575	-----	1/16	0,05	5.63	2,56	cUR/CE	
MOA-P101-CA	115-60-1	Shaded Pole	1575	-----	1/16	0,05	5.63	2,56	cUR	
MOA-P101-CD	220/230-50/60-1	Shaded Pole	1575	1275	1/16	0,05	5.63	2,56	CSA/CE	
MOA-P101-JH	12 Volt	DC		1800	1/16	0,05	5.63	2,56	CE	
MOA-P101-KH	12 Volt	DC		3000	1/8	0,09	5.63	2,56	CE	
MOA-P101-JK	24 Volt	DC		1800	1/16	0,05	5.63	2,56	CE	
**MOA-P108-FB	110/115-50/60-1	PSC (2 Pole)	3000	2500	1/8	0,09	5.63	2,56	CE	
**MOA-P108-FD	220/230-50/60-1	PSC (2 Pole)	3000	2500	1/8	0,09	5.63	2,56	CSA/CE	
**MOA-P108-HB	110/115-50/60-1	PSC (4 Pole)	1575	1275	1/16	0,05	5.63	2,56	cUR/CE	
**MOA-P108-HD	230/220-60/50-1	PSC	1575	1275	1/16	0,05	5.63	2,56	CSA/CE	
*MOA-P109-AA	115-60-1	Shaded Pole	1575	-----	1/16	0,05	5.63	2,56	UR/CSA	
*MOA-P109-CA	115-60-1	Shaded Pole	1575	-----	1/16	0,05	5.63	2,56	UR	
MOA-V111-JH	12 Volt	DC		1800	1/16	0,05	5.63	2,56		
MOA-V111-KH	12 Volt	DC		3000	1/8	0,09	5.63	2,56	CE	
MOA-V111-JK	24 Volt	DC		1800	1/16	0,05	5.63	2,56	CE	
MOA-V111-CD	220/230-50/60-1	Shaded Pole	1575	1275	1/16	0,05	5.63	2,56	CSA/CE	
MOA-V112-AE	110/115-50/60-1	Shaded Pole	1575	1275	1/16	0,05	5.63	2,56	CSA/CE	
**MOA-V112-FB	110/115-50/60-1	PSC (2 Pole)	3000	2500	1/8	0,09	5.63	2,56	CSA	
**MOA-V112-FD	220/230-50/60-1	PSC (2 Pole)	3000	2500	1/8	0,09	5.63	2,56	CSA/CE	
*MOA-V113-AE	110/115-50/60-1	Shaded Pole	1575	1275	1/16	0,05	5.63	2,56	CSA	

\* Cord, switch and plug assembly

\*\* Capacitor shipped with unit - not attached

CSA – Approved by the Canadian Standards Association

cUR – UL recognized for use in Canada and US

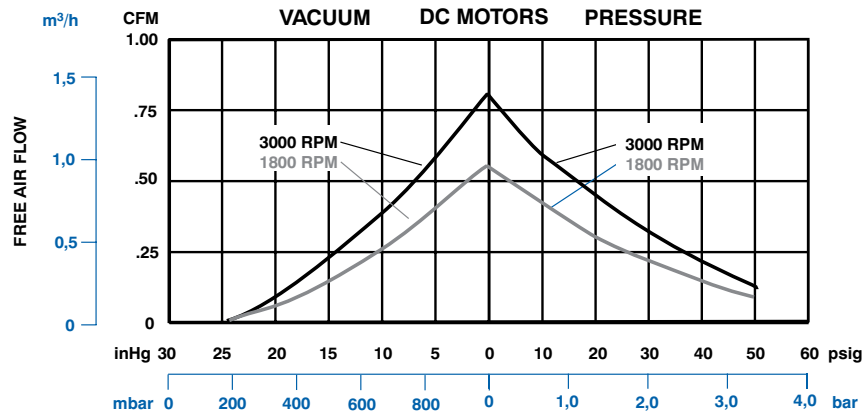
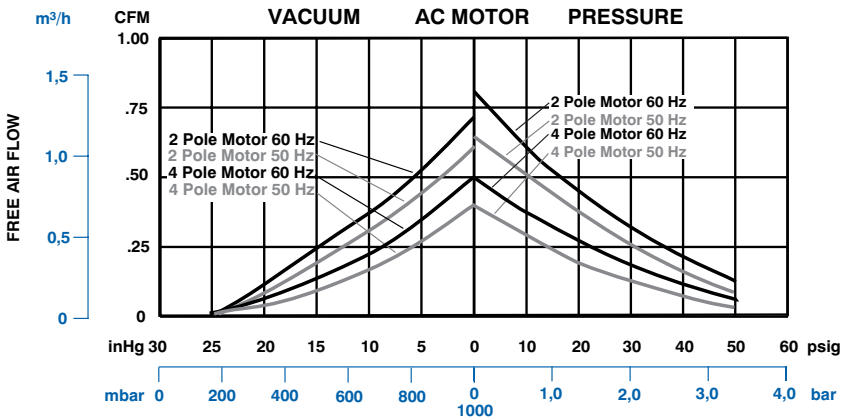
CNL – UL listed for use in Canada and US

CE – Conforms to European Standards

UL – UL Listed for US

UR – UL recognized for US

### Product Performance



	<b>Part No</b>	<b>Description</b>	<b>Used On</b>
Regulators	AA806 AA550C-V, Vacuum		Diaphragm lab models, Diaphragm tank DOL Medical unit, DOA lab, DOA Corrosive resistant
AF887, Pressure		DOL Medical unit, DOA lab,	DOA Corrosive resistant
Rubber Feet	AG505 AF584A		MOA, MAA 22D, DOA, DOL medical, DOA Lab DOA corrosive resistant
Service Kits	K294A  K294J K294K K309  K309A` K588 K588A K788 K811 K813 K813A	Assembled head Old style head	Diaphragm tank units, DOL medical Units, Shaded pole, DOA Corrosive resistant, DOA Lab unit DOA, DAA (use 2) All diaphragm units except MOA-P109-AA, MAA use 2 MOA-P109-A 22D 22D 5D 10D 15D 15D
Tank Assemblies (complete package minus pump)	AF599D	2 gallon tank assembly	DOA/ROA-P106T-AA
Vacuum Gauge	AE136 AA640 AA640		Diaphragm lab models DOL Medical unit, DOA MAA. MOA 22D
Vacuum Relief Valve	AA550C-V AA204		DOL Medical unit, MAA, MOA 22D