



GAST MANUFACTURING, INC.
 A Unit of IDEX Corporation
 Post Office Box 97
 Benton Harbor, Michigan
 Ph: 269/926-6171
 Fax: 269/925-8288

Product Specifications

Model/Modèle/Modelo	V	HP	kW	Hz	Part Number	Revision
2LAF-46T-M200EX	115	1/4	0.19	60	RTD655A	B

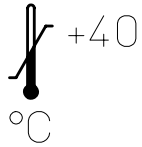


1725



<75dBA

+5



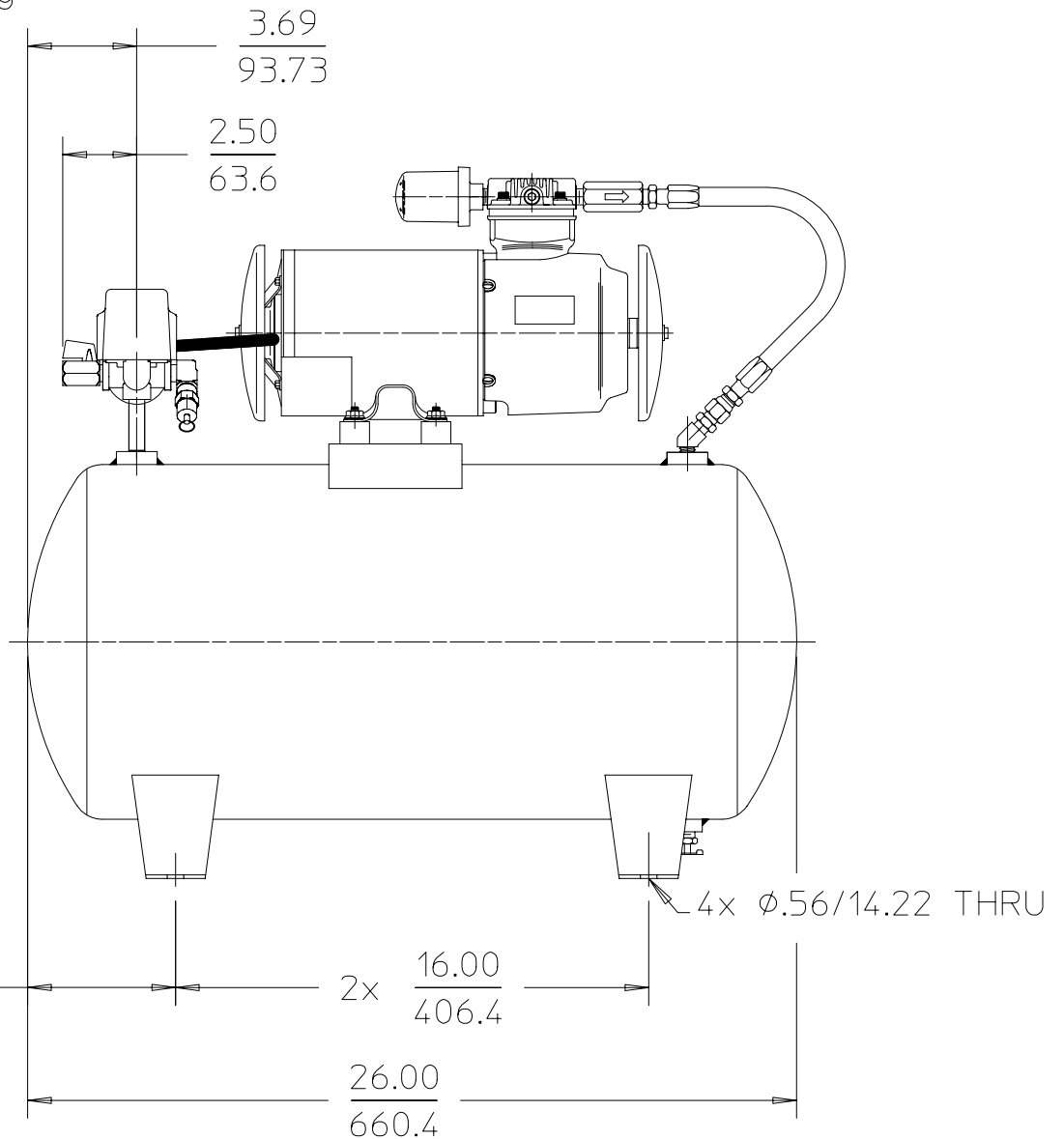
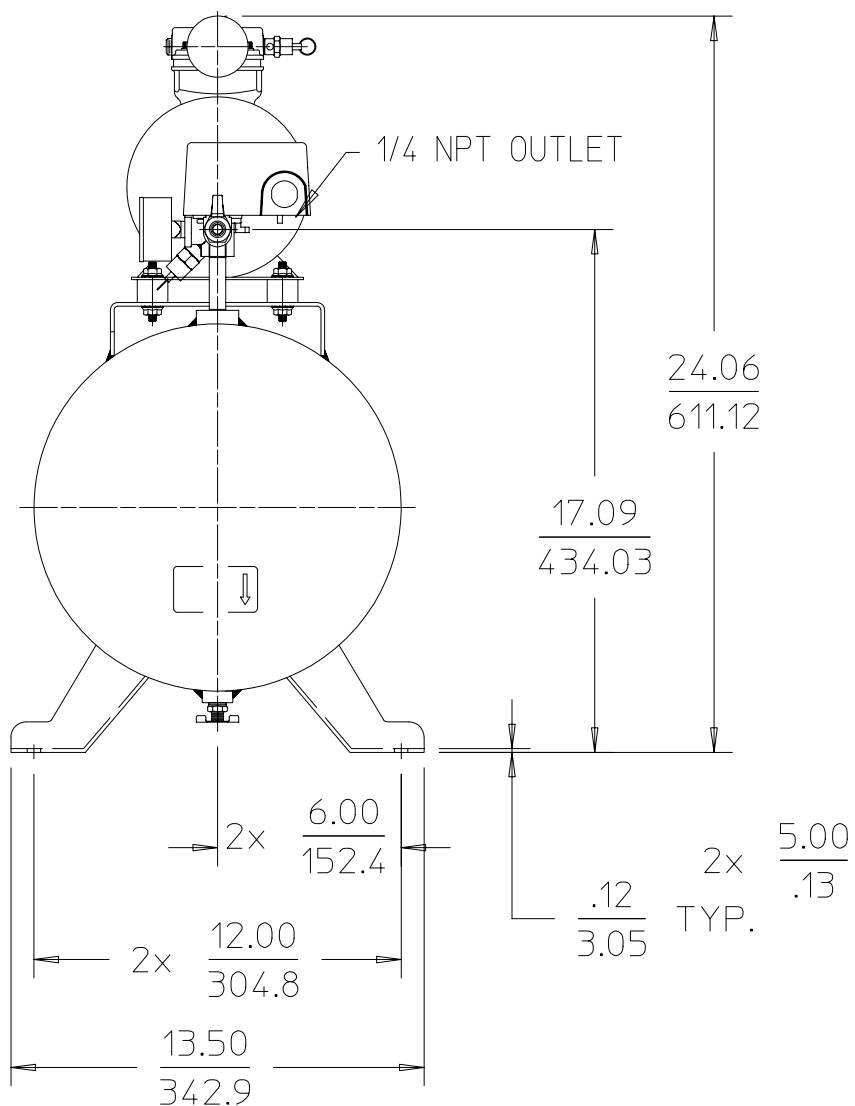
°C



20-80



78 lbs.
35.2 kg



NOTES:

1. ALL DIMENSIONS ARE FOR REFERENCE USE ONLY.
2. PRODUCT DIMENSIONS: U.S. IMPERIAL (inches) METRIC (mm).
3. TECHNICAL DATA SUBJECT TO CHANGE WITHOUT NOTICE.
4. ENVIRONMENT: CLEAN DUST FREE.
5. FACTORY SETTING: CUT-IN 30 PSI± 2 PSI/CUT-OUT 50 PSI ±2 PSI.

PRODUCT PERFORMANCE

